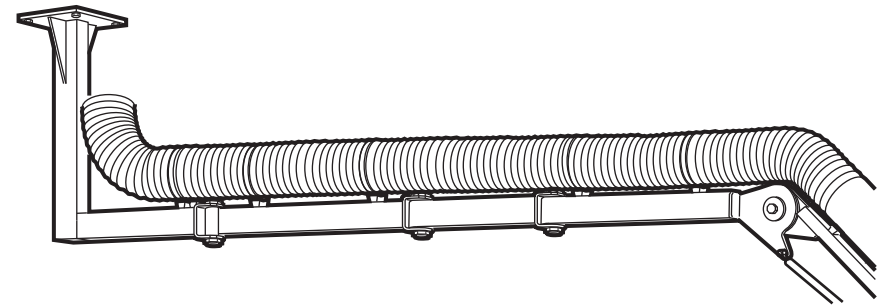


0401

## INSTALLATION INSTRUCTIONS MONTAGE

---



**TIX**  
**180°-180°L**

**MOVEX INC.**

Bath, PA

7289 Park Drive Bath, PA 18014

Phone: 610-440-0478 Facsimile: 610-440-0480  
www.movexinc.com e-mail: info@movexinc.com