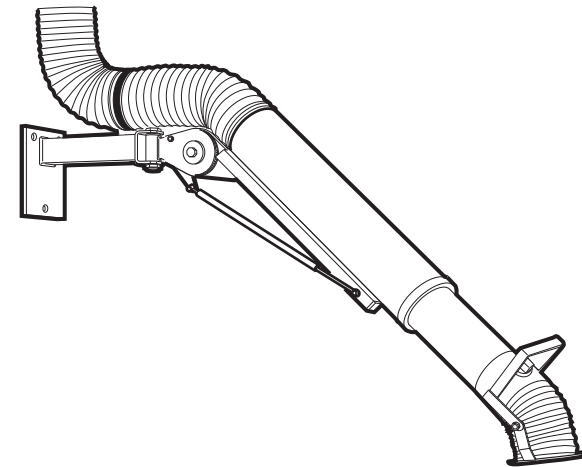
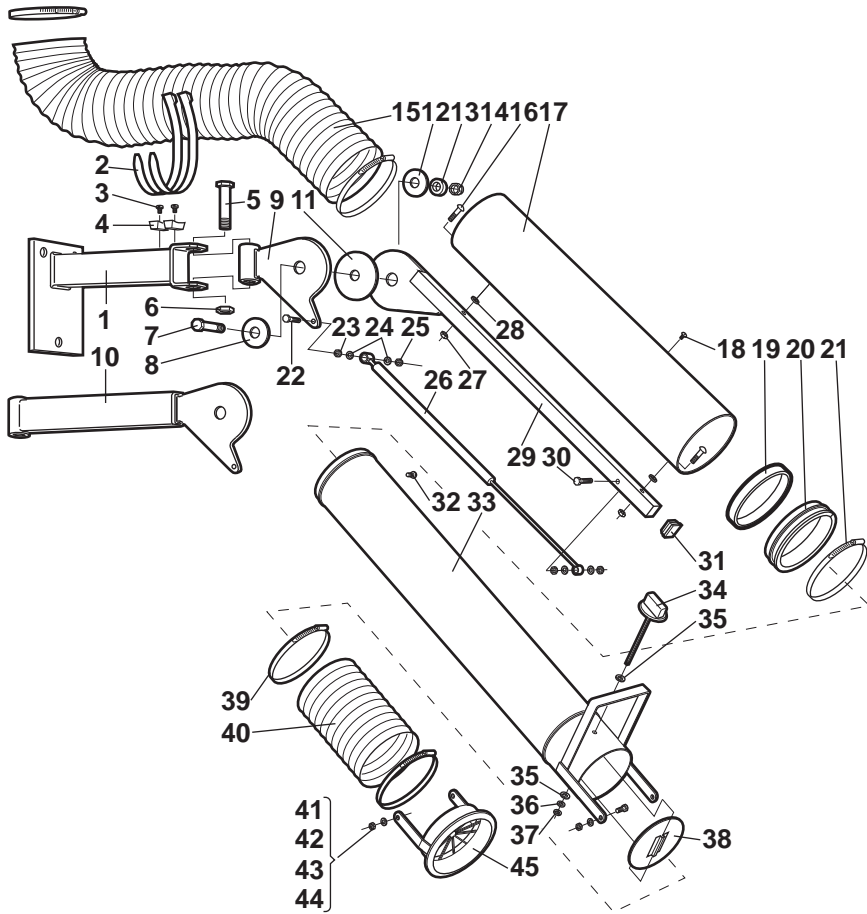


INSTALLATION INSTRUCTIONS MONTAGE



TEX

MOVEX INC.

Bath, PA

7289 Park Drive Bath, PA 18014
Phone: 610-440-0478 Facsimile: 610-440-0480
www.movexinc.com e-mail: info@movexinc.com