

FANS

**F 800, F 1000
F 1200, F 1800
F 3000, F 5000
F8000
C 600**



MOVEX fans are designed to operate reliably in polluted air (e.g. welding fumes, exhaust fumes etc.) with no deterioration in performance. The self-cleaning impellers reduce the risk for any out-of balance condition.

The impeller design which uses straight blades in cast aluminium alloy gives spark-free performance. This does not apply to fan type C600.

The exhaust direction is easily changed by adjusting the mounting bracket or the fan casing.

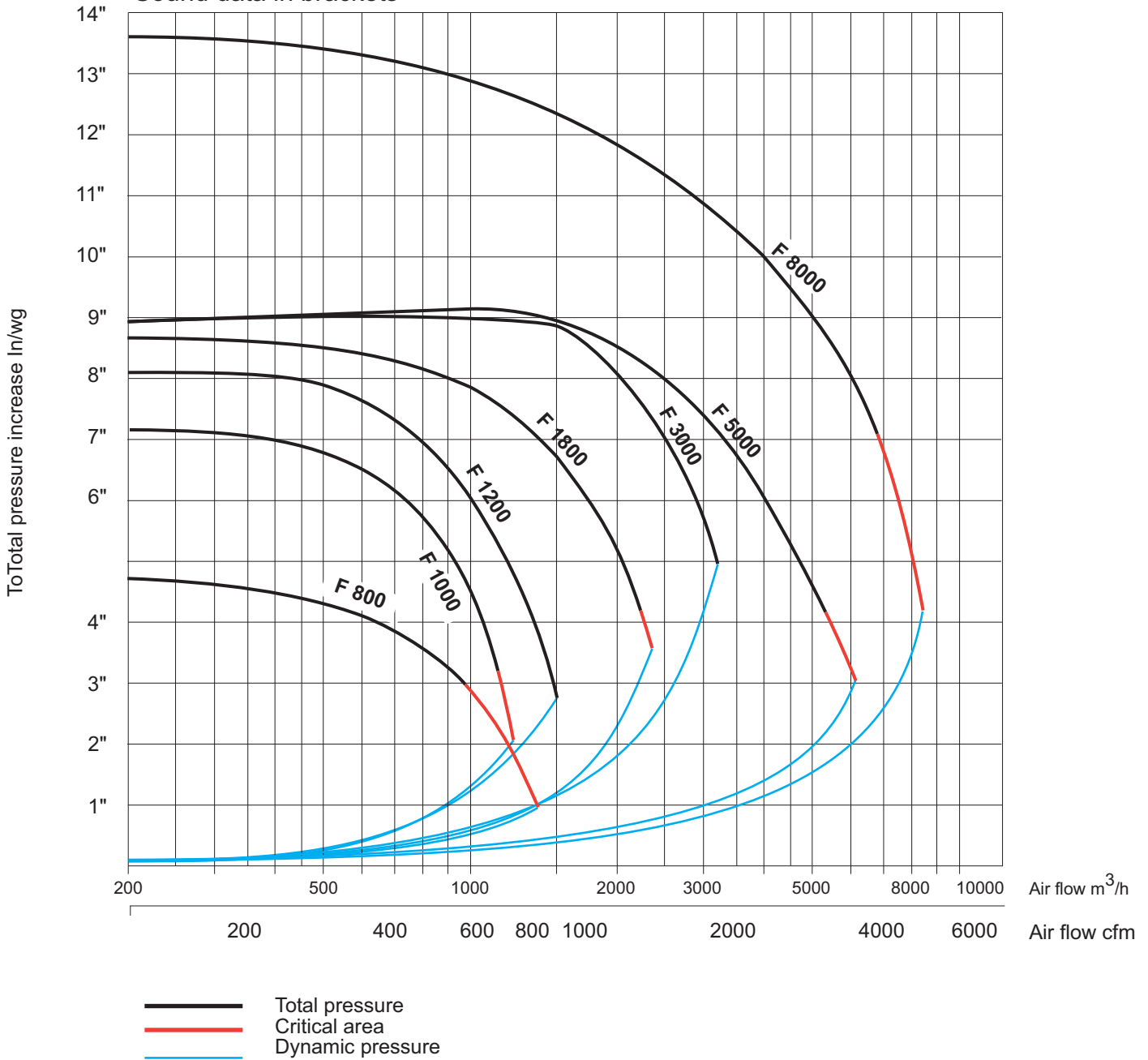
The fan is mounted in a powder-coated sheet steel housing which is rated for indoor or outdoor use.

Movex also offers a range of local extractors, accessories ,automatic control devices and filters for our fans.

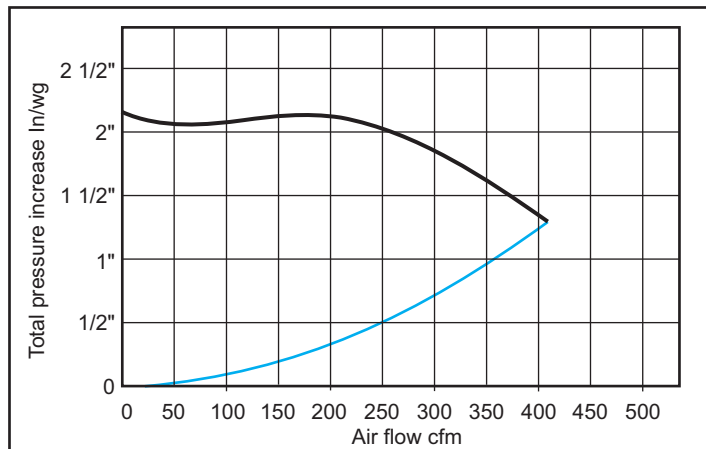
MOVEX[®]
LOCAL EXTRACTOR
Pure advantage

PERFORMANCE

Sound data in brackets



C 600



Designation	No of revs	Rated power		Rated current		Voltage	Weight	
		rpm	kW	Hp	A 1 -phase 120 V			A 3 -phase 208 V 460 V
F 800 -3	3410	0.37	0.5		1.69	208	24	
F 800 -1	3450	0.37	0.5	4.8		120	26	
F 1000 -3	3440	0.55	0.75		2.37	208	24	
F 1000 -1	3400	0.55	0.75	6		120	29	
F 1200 -3	3420	0.75	1		3.3	208	33	
F 1200 -1	3430	0.75	1	10.6		120	38	
F 1800 -3	2444	1.1	1.5		4.6	208or460	53	
F 1800 -1	3450	1.1	1.5	15.9	2.4	120	55	
F 3000	3420	2.2	3.0		8.5	4.4	208or460	70
F 5000	3444	4.0	5.5		13.8	7.2	208or460	115
F 8000	3444	7.5	10		25.5	13.3	208or460	187
C 600-3		0.25	0.33		1.24	208	15	
C 600-1	3450	0.25	0.33	4.2		120	13	

FANS F

Fan casing

Made of powder coated sheet steel.

Impellers

T-impellers made of cast aluminium alloy.

Motor

3-phase or single phase asynchronous motors. Housing rated IP 55. Insulation class F
Versions available on request include other voltages, two-speed and explosion proof.

Accessories

The MOVEX range also includes contactors and manually operated protective motor switches.
Where variable fan speeds are required, use the MOVEX electronic controller SFO, which may be combined with the pressure regulator ST 200 to optimise fan performance. See sales sheet Control Units.

Other information

Fans F 1000 and F 1200 are supplied complete with mounting brackets. Other versions have integrated mounting fittings.
MOVEX may also supply larger fans on request.

FANS C

Fan casing

Made of powder coated sheet steel.

Impellers

F-impellers made of steel plate coated with zinc.

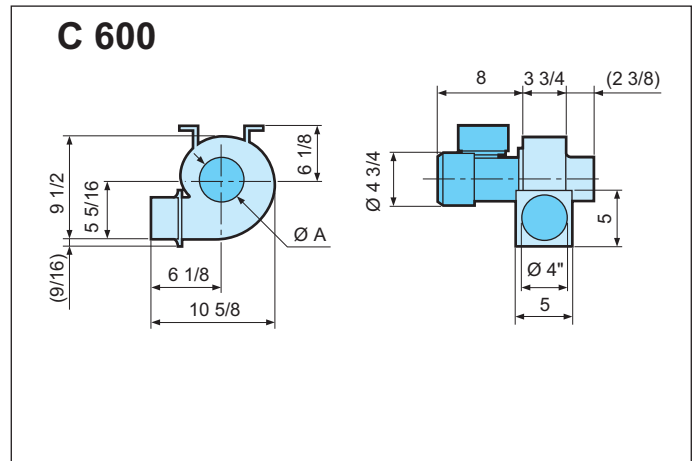
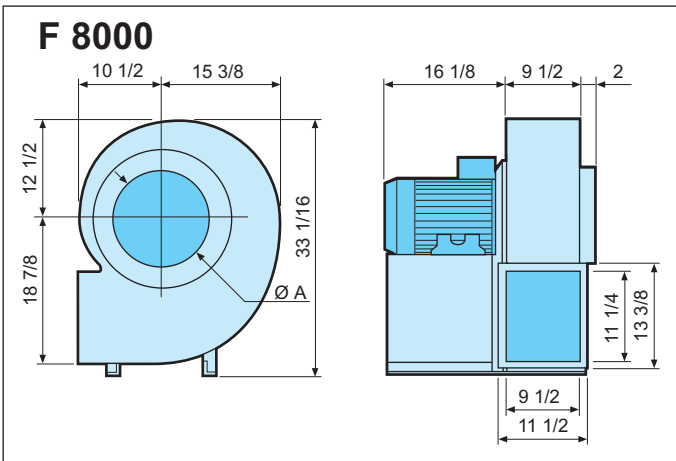
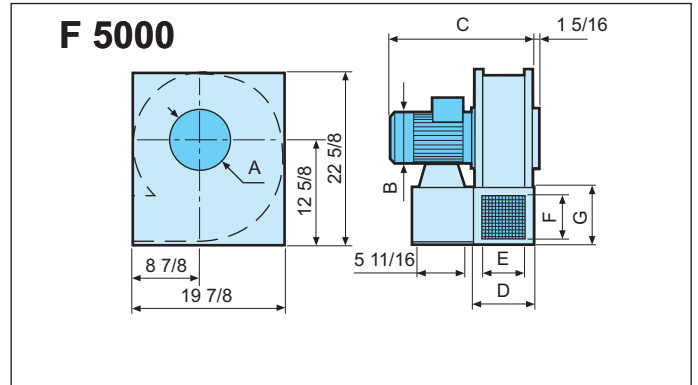
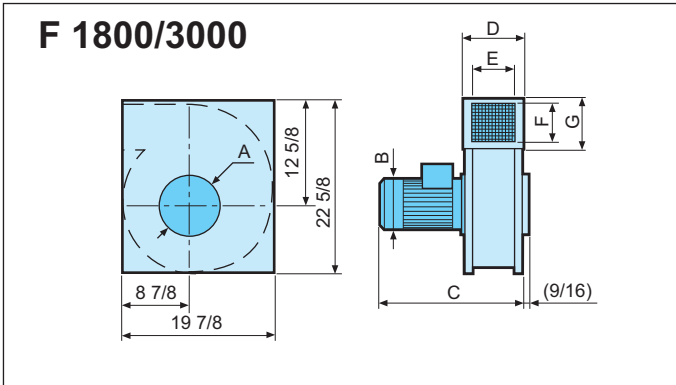
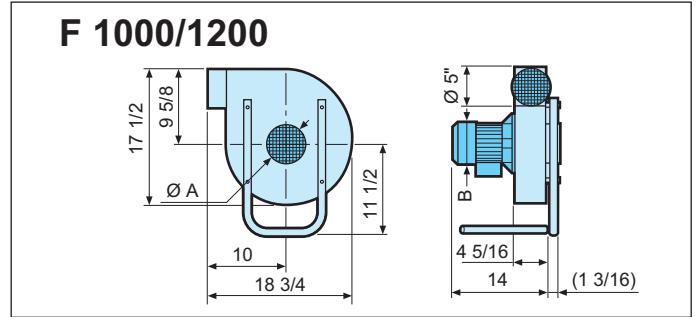
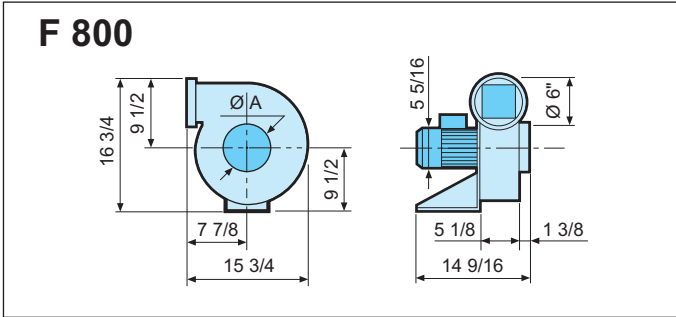
Motor

3-phase or single phase asynchronous motors. Housing rated IP 55. Insulation Class F.

Accessories

The MOVEX range also includes contactors and manually operated protective motor switches.
Where variable fan speeds are required, use the MOVEX electronic controller SFO, which may be combined with the pressure regulator ST 200 to optimise fan performance. See sales sheet Control Units.

F 800, 1000, 1200, 1800, 3000, 5000, 8000, C 600



Designation	Measurement						
	A	B	C	D	E	F	G
F 800	$\text{Ø} 6"$	-	-	-	-	-	-
F 1000	$\text{Ø} 5"$	$\text{Ø} 5 \frac{1}{2}$	-	-	-	-	-
F 1200	$\text{Ø} 5"$	$\text{Ø} 5 \frac{7}{8}$	-	-	-	-	-
F 1800	$\text{Ø} 6"$	$\text{Ø} 6"$	$13 \frac{3}{8}$	6	$4 \frac{5}{16}$	$5 \frac{1}{2}$	$6 \frac{1}{2}$
F 3000	$\text{Ø} 8"$	$\text{Ø} 7"$	$19 \frac{5}{16}$	$7 \frac{1}{2}$	$5 \frac{1}{2}$	$5 \frac{1}{2}$	$6 \frac{1}{2}$
F 5000	$\text{Ø} 13"$	$\text{Ø} 9"$	24	$11 \frac{1}{2}$	$9 \frac{1}{2}$	$7 \frac{11}{16}$	$8 \frac{11}{16}$
F 8000	$\text{Ø} 13"$	-	-	-	-	-	-
C 600	$\text{Ø} 4"$	-	-	-	-	-	-

MOVEX[®] INC.
 104 Commerce Drive, Suit C,
 Northampton, PA 18067, USA
 Tel: 610-440-0478 Fax: 610-440-0480
 www.movexinc.com e-mail: info@movexinc.com

Dealer: