

LOCAL EXTRACTOR



MEX A & MEX AA

Telescopic local extractor for extraction of fumes from atomic absorption processes

The MEX A and MEX AA are designed specifically to extract polluted air at a high temperature, i.e. atomic absorption units. The hood and all components that come in contact with the heated, polluted air are made of aluminum or 316L stainless steel. The wall bracket is fabricated from mild steel and powder coated.

The standard mounting for the extractor is a wall bracket. The wall bracket has a side to side horizontal movement along with an in and out telescopic travel. As an option, a ceiling mounting bracket is also available.

The telescopic movement of the extractor utilizes two sliding Teflon rings with a locking device to ensure the hood maintains the intended vertical position. The vertical telescopic movement is 17 inches.

For the exhaust connection, a 5 foot flexible high temperature hose is supplied with every extractor.

Movex also offers a range of fans, accessories and automatic control devices for our local extractors.

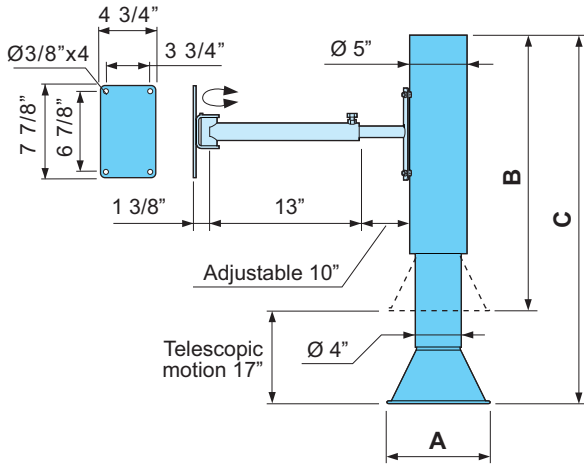
MOVEX®

LOCAL EXTRACTOR

Pure advantage

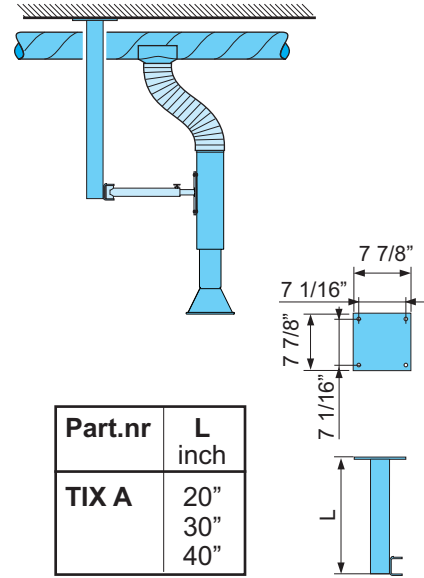
MEX-A MEX-AA

Wall mounting



Ceiling mounting

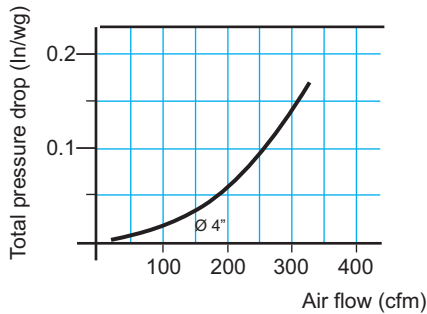
Optional solution for installation with ceiling bracket. The ceiling bracket TIX A up to 40 inch.



MEX-A aluminum hood and pipe
MEX-AA stainless steel hood and pipe

Part.nr	A inch	B inch	C inch
MEX-A	9	25	42
MEX-AA	10	25	42

Part.nr	L inch
TIX A	20" 30" 40"



To avoid damage and other inconveniences on material further down the airstream it is recommended to extract a proportionately large volume of room air to reduce the temperature of the extracted air.

Example - Air from the atomic absorption unit	20 cfm	at	1800°F
- Room air	140 cfm	at	70°F
- Mixed air (extracted air)	160 cfm	at	~200°F

Tube and hood and brackets

MEX A is made from anodized aluminum
 MEX AA is made from stainless steel EN 1.4404, (316 L).
 The wall bracket is in white powder-coated mild steel.

Flexible hose

The hose is made from an outer and inner layer of aluminum with a supporting layer of polyester and spring steel coil. Length 5 feet including 2 clamps.

Delivery

For easy installation, the arm is delivered fully assembled. Wall bracket model is standard. The ceiling brackets are optional.

Flexible hose

Material	Aluminum, polyester
Temperature range	-20°F to +480°F
Diameter	Ø 5 inches

Sliding lining

Material	PTFE, adjustable friction.
Temperature range	-20°F to +570°F

Other information

Surface treatment of mild steel components	White powder coating
Total weight	15 lb

MOVEX® INC.

104 Commerce Drive, Suit C,
 Northampton, PA 18067, USA
 Tel: 610-440-0478 Fax: 610-440-0480
 www.movexinc.com e-mail: info@movexinc.com

Dealer: