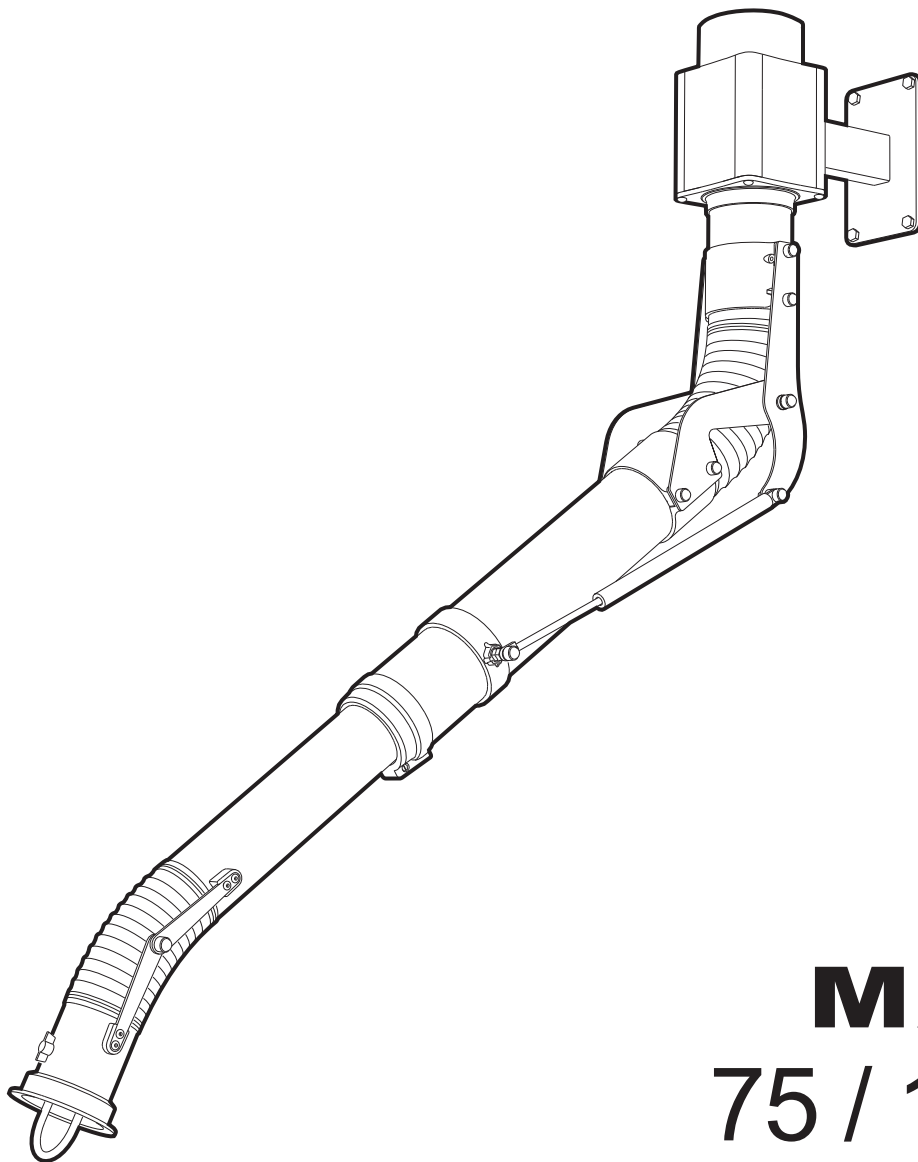


# INSTALLATION INSTRUCTIONS MONTAGE

---



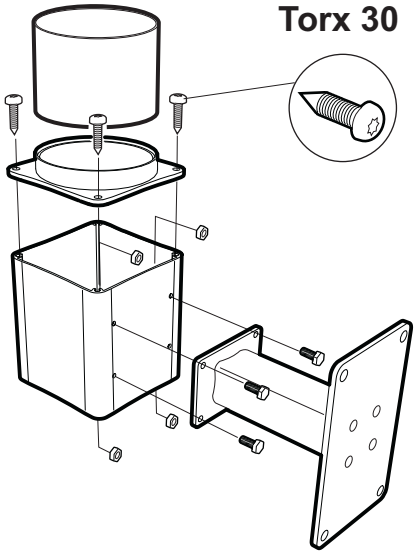
**MX**  
**75 / 100**

**MOVEX**

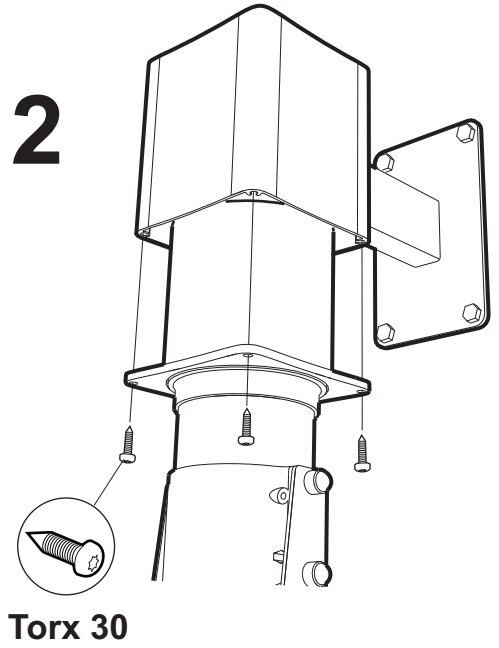
[www.movexinc.com](http://www.movexinc.com) e-mail: [info@movexinc.com](mailto:info@movexinc.com)

# MXV

1

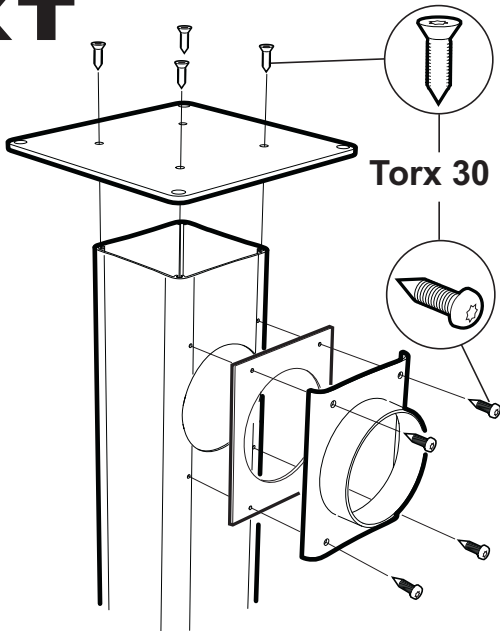


2

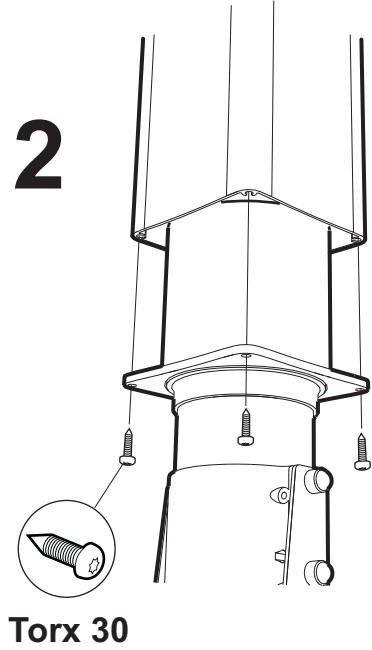


# MXT

1

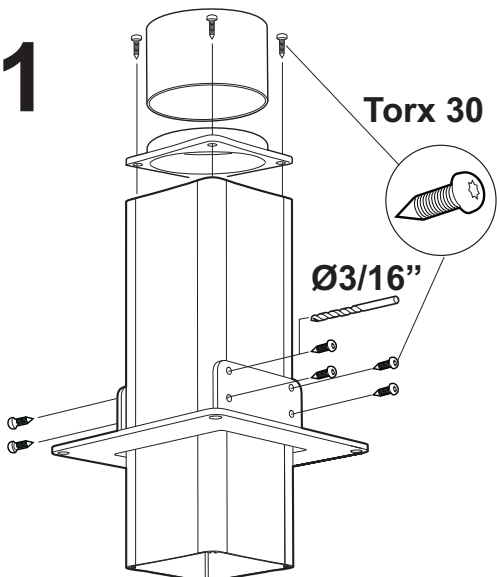


2

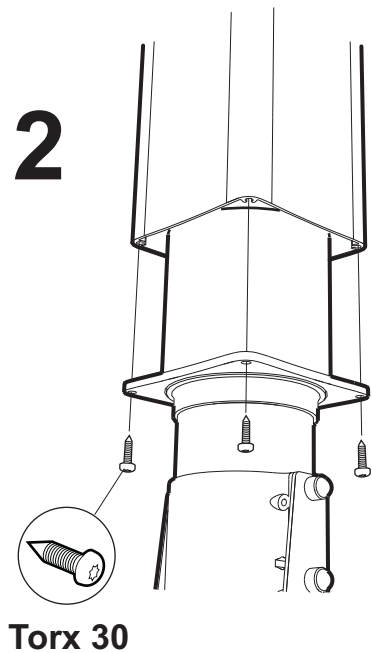


# MTF-125

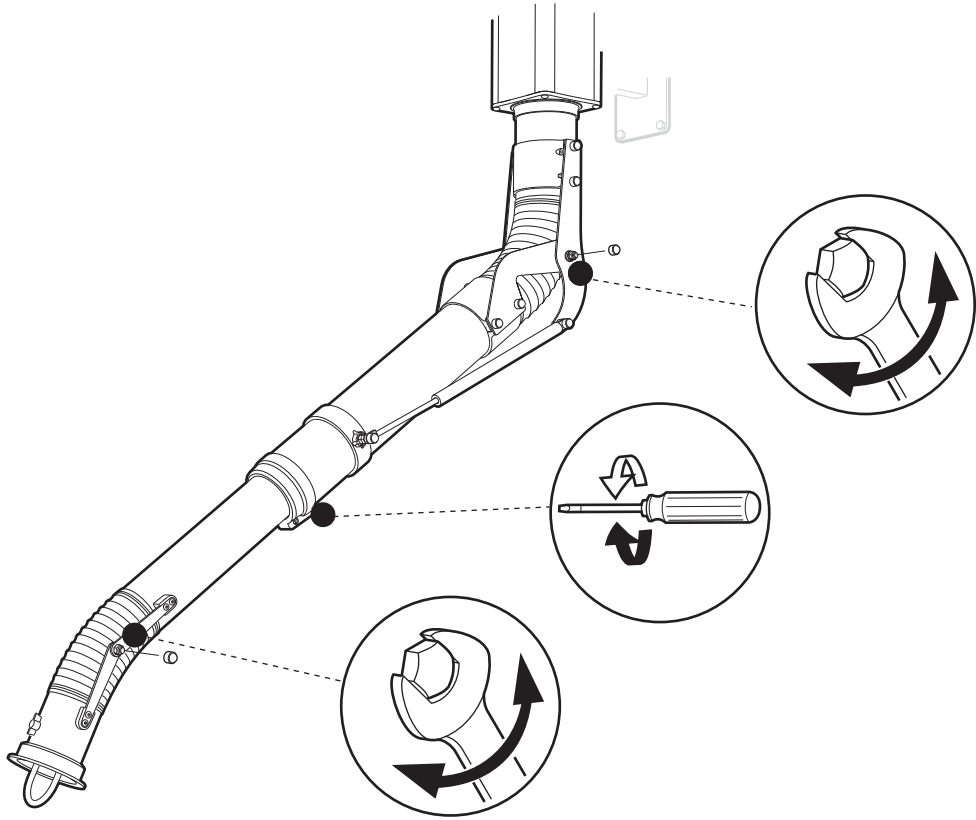
1



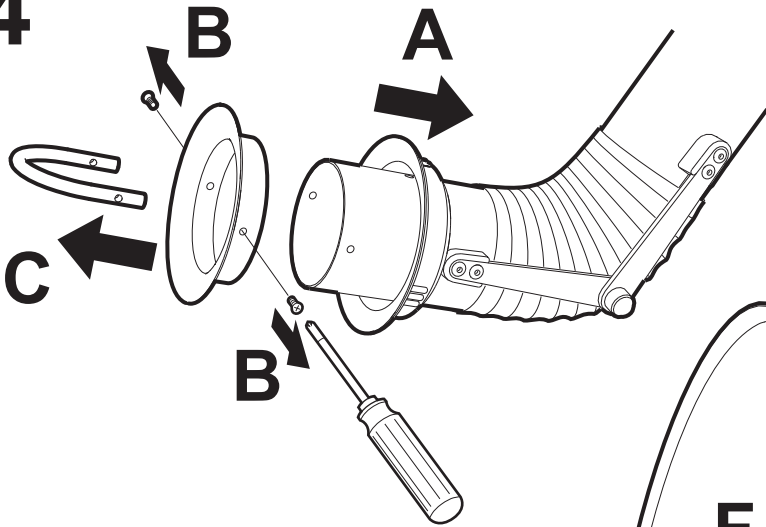
2



**3**



**4**



**5**

