

# LOCAL EXTRACTOR



## MiniTEX 1100, 1500

**Flexible, telescopic  
local extractor with the  
market's lowest pressure drop.**

The MOVEX local extractor MiniTex, with lengths of 44" and 60", is a telescopic local extractor for laboratories that require a compact extractor with a very low pressure drop.

MiniTEX is equipped with gas springs to balance the weight of the arm. Its adjustable telescopic function, moveable angle joint and 360° swivel, along with the flexible suction unit, gives both a local extractor that is easily moved with stable positioning. MOVEX always designs its local extractors with external supports, which ensures a natural and linear airflow. This allows a low pressure drop and a low risk of blockage.

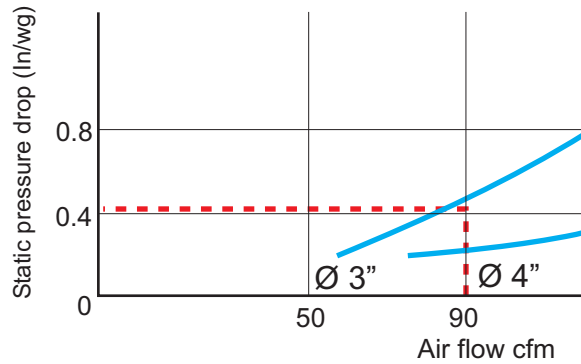
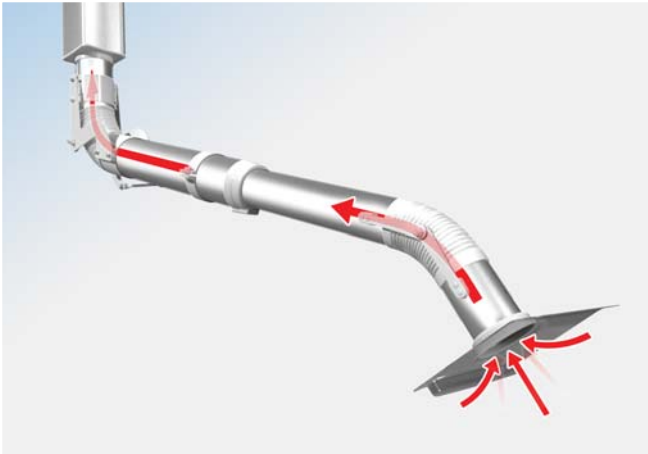
With this special telescopic function, the MiniTEX has a much lower pressure drop than conventional suction arms. Therefore, it is exceptionally suitable when there is a need for a low pressure drop in the extraction system. The MiniTEX can also be equipped with different hoods, which further increase the extraction efficiency.

The joints and telescopic function can be easily adjusted from the outside. The smooth tubes ease internal cleaning of the extraction duct. The arm is supplied complete with an airtight damper. The MOVEX MiniTEX is available in designs for ceiling or wall mounting.

*Also included in the Movex range are fans, accessories, automatic controls and filters suitable for the local extractor*

# MOVEX

## The market's lowest pressure drop



### The low pressure drop has many benefits

The MiniTEX has a linear airflow, without internal components to obstruct the air stream. At the same time, the telescopic function permits a relatively high air velocity in the suction nozzle.

For most types of laboratories, a dimension of Ø3" is recommended and an airflow of 90 cfm. This airflow provides a sufficiently large air volume to evacuate the air pollutants that arise. MiniTEX, with Ø3", provides a static pressure drop of only 0.4 In/wg at 90 cfm, while at the same time the nozzle air velocity is nearly 2000 ft/m.

These characteristics have several benefits.

- It is easy to use the MiniTEX in the same ventilation system, for example, as a fume cabinet that also has a very low pressure drop.
- The high nozzle air velocity provides effective capture of pollutants and it is not easily influenced by other disturbing air currents in the area.
- The low pressure drop minimizes the risk of noise problems.

### Ideal for low ceilings



### MiniTEX is ideal for low ceilings and low hanging light fittings.

The telescopic function, with just one bendable joint, means the extractor is never at risk of collision with low hanging light fittings or low suspended ceilings.

### Appealing and stable brackets

MiniTEX is supplied with a stable bracket in anodized aluminum with a high finish to obtain suitable, functioning extraction.

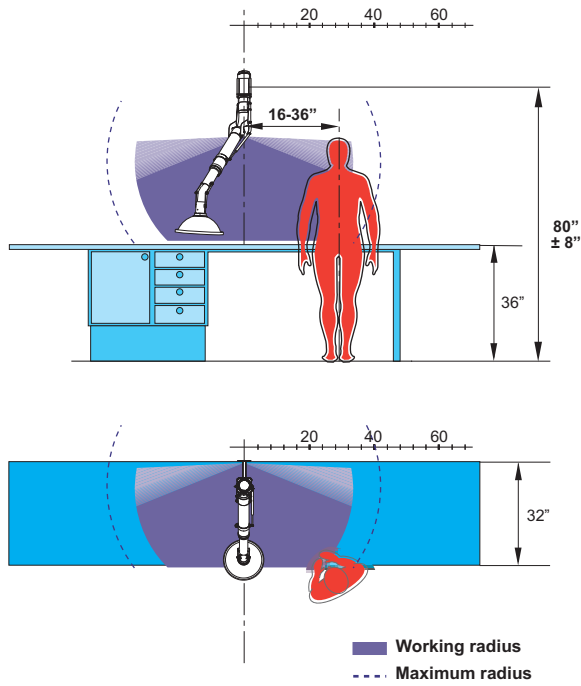
**MTI-125** Ceiling bracket can be fitted with sleeves both below and above a finished ceiling, in the latter case preferably together with MTI CT-125.

**MVK-125** Wall bracket is always included in models with designation MXV.

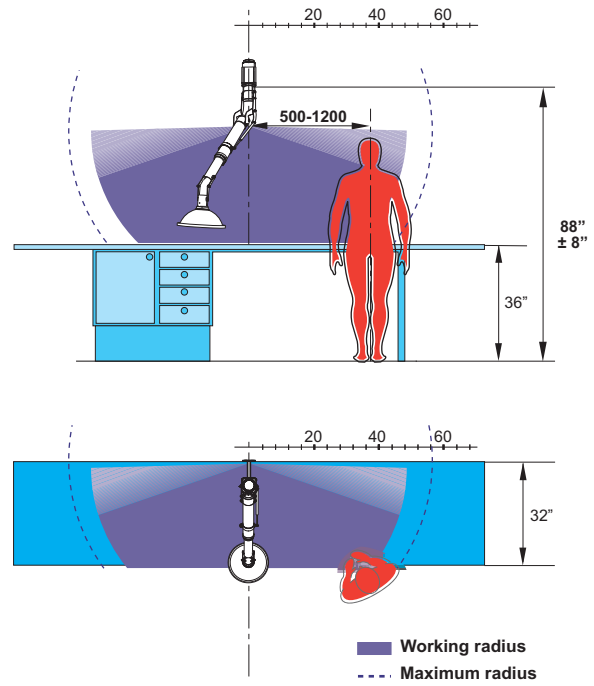
**MTF-125** Ceiling bracket for fitting through roof beams. Fixing plate is adjustable along whole length of aluminum tube, if required, aluminum profile can be cut to fit.



## Range and recommended mounting height for MX 1100-75 and MX 1100-100



## Range and recommended mounting height for MX 1500-75 and MX 1500-100

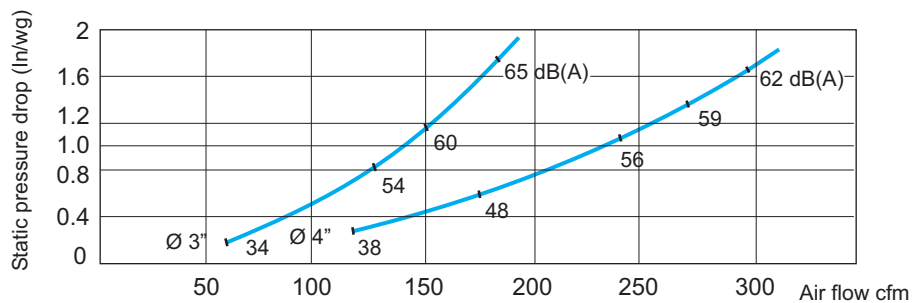


To optimize the usability of the extractor, the above mentioned mounting heights, and sideways displacements from the workplace, are recommended.

## Applicable areas of use

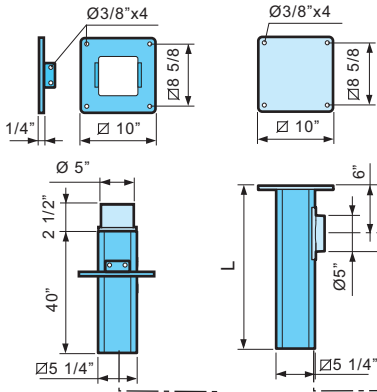
Dimension	Activity
Ø 3"	Laboratories, Schools, Science Lecture Rooms
Ø 4"	Laboratories, Light Industry - Gluing - Solvents - Hard soldering - Light welding/TIG

## Pressure drop diagram



The static pressure drop is measured in accordance with ISO standard 5167-1. The noise level is measured according to ISO standard 3741.

### Ceiling mounting



**MTF-125**

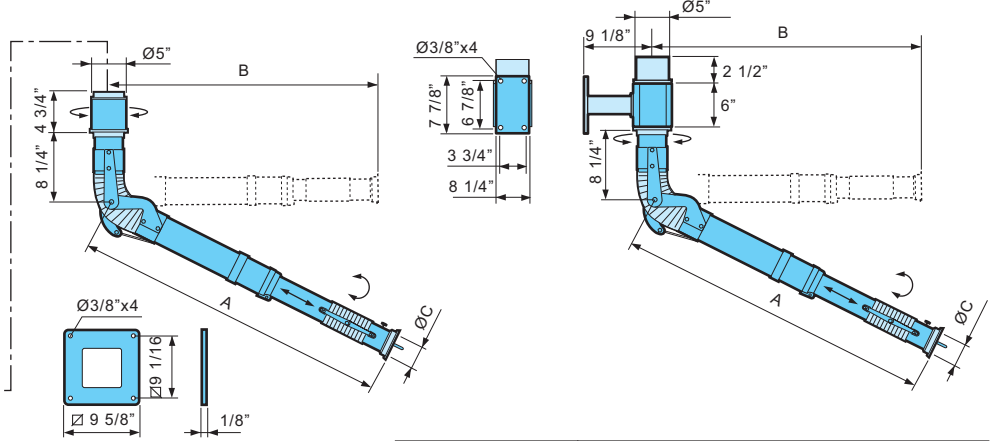
**MTI-125**

Ceiling mounting	L (Inch)	Weight (lb)
MTI 500-125	20	11
MTI 750-125	30	13
MTI 1000-125	40	15
MTI 1250-125	50	17
MTI 1500-125	60	19
MTI 1750-125	70	21
MTI 2000-125	80	23

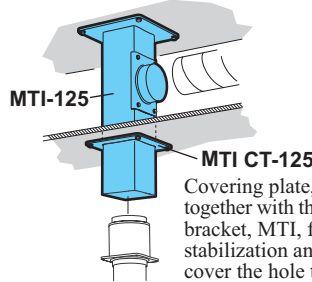
  

Ceiling mounting	L (Inch)	Weight (lb)
MTF 1000-125	40	14

### Wall mounting



**MTI CT-125**

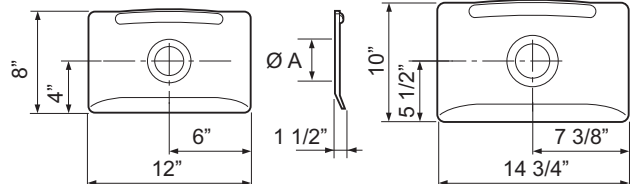
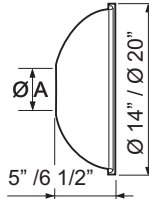
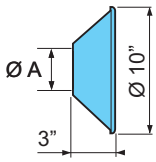


MTI-125  
MTI CT-125  
Covering plate, used together with the ceiling bracket, MTI, for stabilization and also to cover the hole through the finished ceiling.

Designation	A(Inch)	B(Inch)	Ø C(Inch)	Weight (lb)
<b>Ceiling mounting</b>				
MXT 1100-75	44	32	3	10*
MXT 1500-75	60	40	3	12*
MXT 1100-100	44	32	4	13*
MXT 1500-100	60	40	4	15*
<b>Wall mounting</b>				
MXV 1100-75	44	32	3	16
MXV 1500-75	60	40	3	17
MXV 1100-100	44	32	4	18
MXV 1500-100	60	40	4	20

\*weight excluding the ceiling support

### Hoods



#### Metal hood

Designation	ØA(Inch)	Weight (oz)
MM 250	3	5
MM 251	4	5

The metal hood is used for work in tougher environments. Capture of hot gases, dust spray, etc.

#### Dome hood

Designation	ØA(Inch)	Weight (oz)
MK 350	3	10
MK 351	4	10
MK 500	4	14

The dome hood is used to cover the source of contamination effectively, without blocking the line of sight. Available in 14" for MiniTEX 75 and MiniTEX 100. For MiniTEX 100 a 20" dome hood is available.

#### Flat screen hood

Designation	ØA(Inch)	Weight (oz)
MPH 300	3	6
MPH 375	4	10

The flat screen hood is designed to maximize the working area without obscuring the object from the user. The flat screen hood provides the best suction power for work on tables and benches.

## Materials

### Ducts and profiles

Manufactured in thin-walled anodized aluminum.

### Hose

Spring-steel coil completely enclosed in PVC coated polyamide fabric. Flame resistant, suitable for many chemicals. Temperature range -5°F to +176°F. For other qualities of hose, please contact Movex.

### Metal components

Manufactured of powder-coated plate steel.

### Plastic components

Manufactured of polypropylene.

### Hoods

Hoods MK and MPH are manufactured in transparent PETG. MM hoods are manufactured in coated aluminum.

## Delivery description

The arm is supplied complete with an airtight damper. The arm for wall mounting is supplied complete with wall bracket.

For ceiling mounting, ceiling bracket MTI is ordered separately. Metal, dome, and flat screen hoods are available as accessories.

# MOVEX® INC.

104 Commerce Drive, Suit C,  
Northampton, PA 18067, USA  
Tel: 610-440-0478 Fax: 610-440-0480  
www.movexinc.com e-mail: info@movexinc.com

Dealer: