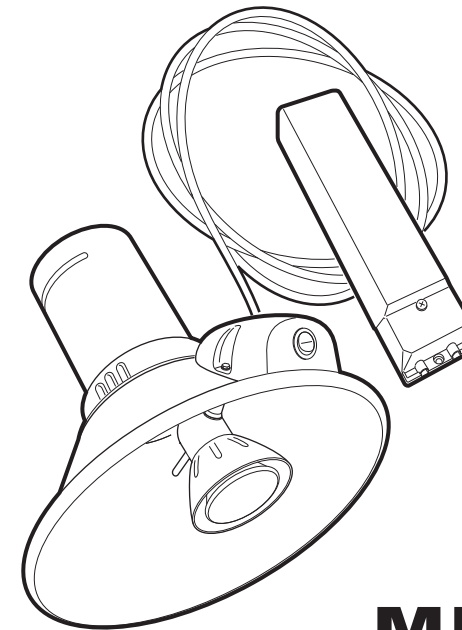
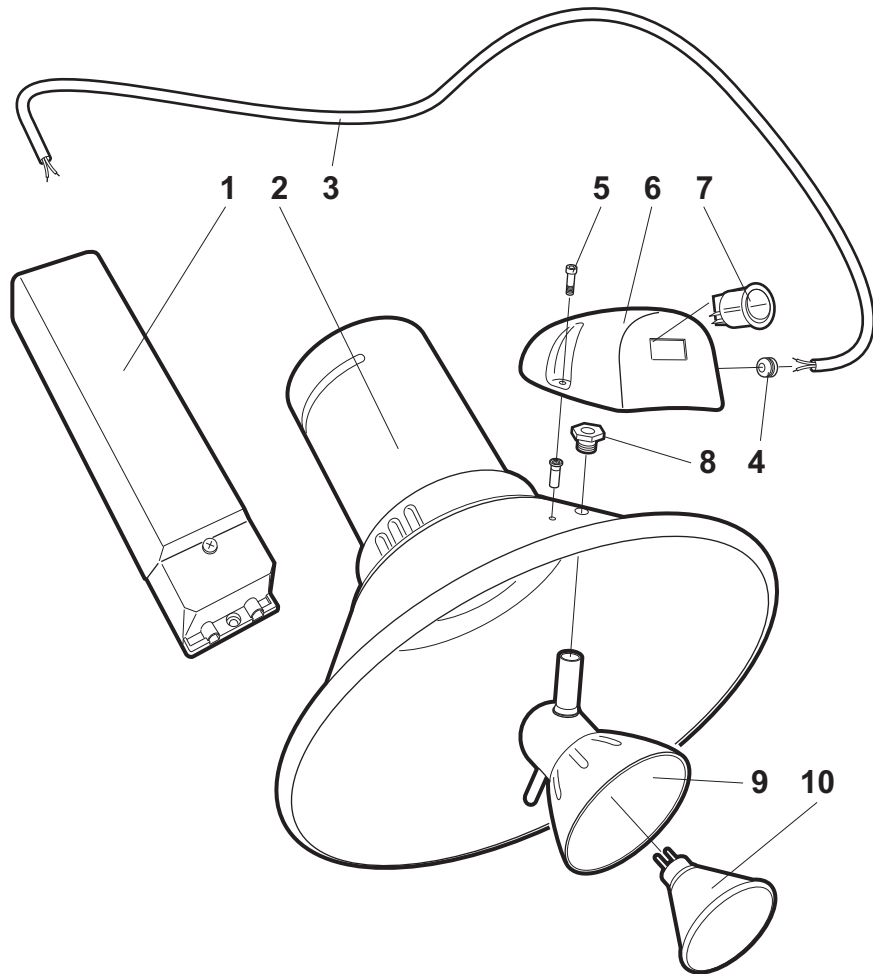


INSTALLATION

INSTRUCTIONS MONTAGE



MB 250

MOVEX

Bath, PA

5966 Keystone Drive Bath, PA 18014, USA
Phone: 610-440-0478 Facsimile: 610-440-0480
www.movexinc.com e-mail: info@movexinc.com

