

LOCAL EXTRACTOR

TERFU

A local extractor with friction joints for worksites where great flexibility is required.

TERFU is a local extractor with articulating joints designed for use in workplaces where great flexibility is required such as laboratories, production environments and lighter industrial applications.

Simple, easy function

The articulating joints have a large frictional diameter and are supported with ball bearings. The degree of friction is easily adjusted with a one hand operation on the large knob (located) at each joint. All arms are equipped with an air tight damper and a 360 degree rotational swivel while mounted in place.

Always easy to select the right product

Terfu is available in four versions:

- Standard version. Suitable for evacuation of most types of airborne contaminants.
- PP version. Most suitable for evacuation of highly corrosive contaminants in high concentrations.
- ESD version. For ESD environments, type approved to EN 61340-5-1.
- ATEX version. For ATEX classed environments, as in directive 94/9/EC category 2, for gases and dust.

Terfu is available in sizes 2, 3 and 4 inch.

All sizes are suitable for table mounting, ceiling mounting and wall mounting.

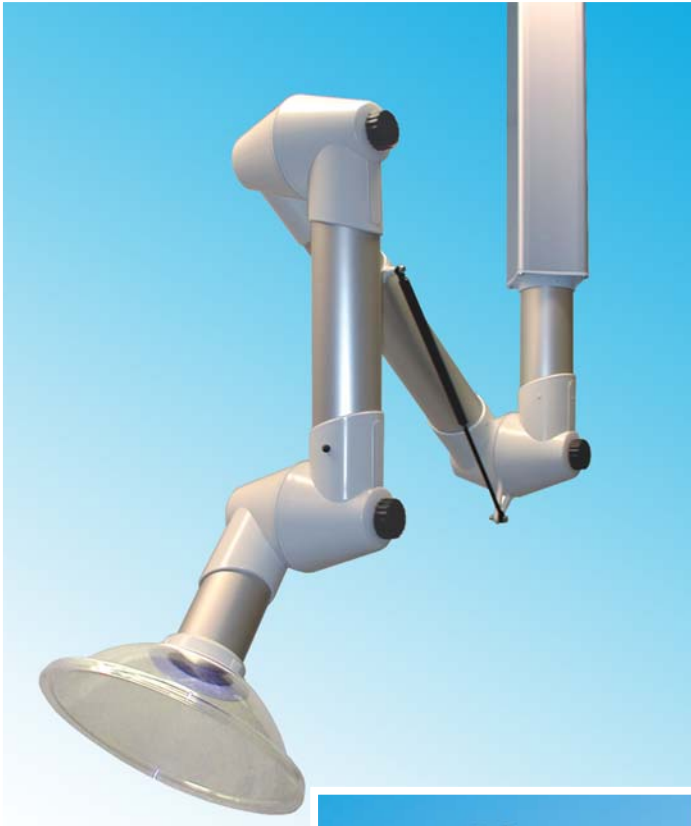
The ceiling and wall mounted arms are interchangeable with mounting brackets constructed of a square anodized aluminum profile for good stability and appealing finish.

The Ø2 inch and Ø3 inch diameter use the same brackets, while the Ø4 inch diameter has its own selection of brackets. All ceiling brackets are available in eight standard lengths up to 80 inches. Special orders for longer lengths are available.

To complete your installation, an escutcheon plate (MTI CT) is used to cover cut holes in the finished ceiling.

There are six interchangeable hoods for the Terfu 2 & 3 inch diameter arms and four hoods for the Terfu 4 inch. Acceptable airflow is 30 to 270 cfm.

The TERFU system is design protected with several patents- and design protections pending.



The Movex range also includes fans, accessories, automatic control gear and filters for local extraction

MOVEX®

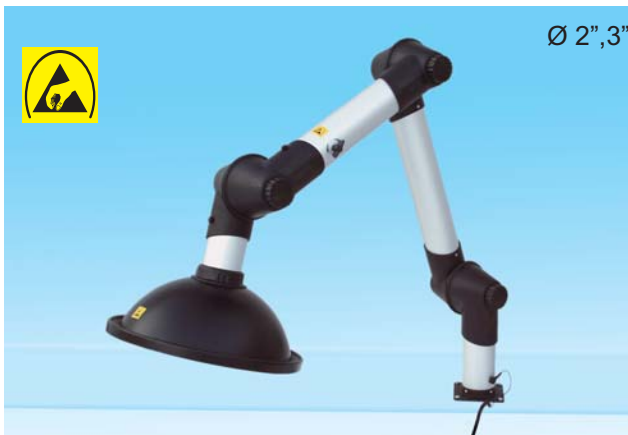
TERFU models



Standard version of Terfu with polypropylene joints and anodized aluminum tubes. The standard version is available in sizes 2, 3 and 4 inch. The standard version of Terfu is suitable for evacuation of most types of airborne contaminants from laboratories, schools, hospitals, pharmaceutical industry, hair dresser and light industrial applications.



Polypropylene (PP) version of Terfu with joints and tubes in recyclable PP. All metal parts that come in contact with the airstream are made from acid resistant stainless steel (316). The PP version is available in sizes 3 and 4 inch. The PP version of Terfu is primarily used for evacuation of extremely corrosive contaminants in high concentrations for certain laboratories, and also pharmaceutical and chemical industries. When using a ceiling mounted PP extractor, we recommend using an MTI ceiling bracket with internal epoxy surface coating.

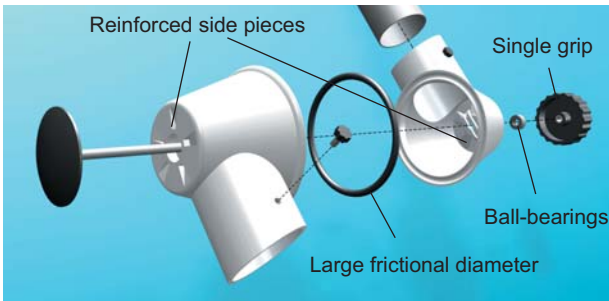


ESD version of Terfu with joints made from conducting polypropylene and tubes of anodized aluminum, provides a complete arm that is electrically conductive, thus grounding static electricity to a grounding point. The ESD version is available in sizes 2 and 3 inch diameter. The ESD version of Terfu is suitable for evacuation of airborne contaminants in environments where one wishes to avoid the risk of sparking that may occur due to static electricity. Another area of use is the electronics industry where ESD certification is required. Terfu ESD is type approved to EN 61340-5-1. The demands for ESD certification require that the product does not accumulate and store a charge of 100V for more than 2 seconds.



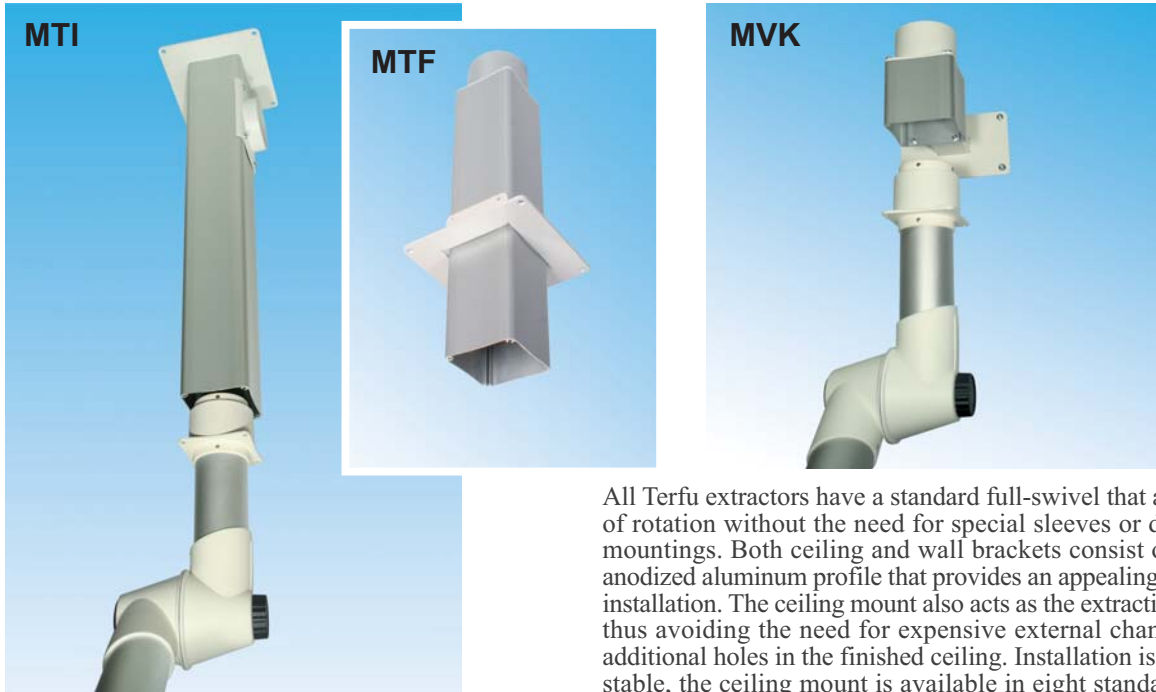
ATEX version of Terfu with joints and tubes of conductive recyclable PP. All metal parts that come in contact with the airstream are made from stainless steel. Static electricity is lead to a separate grounding point. All load-bearing steel parts have a conductive powder coating. The product fulfils the demands in ATEX directive 94/9/EC category 2, for gases and dust. The ATEX version is available in sizes 3 and 4 inch diameter. The ATEX version of Terfu is suitable for evacuation of airborne contaminants in environments that demand ATEX classed products, laboratories, chemical and petrochemical industries, gas distribution, paint and pharmaceutical industries. The ATEX directive requires that the resistance shall be $<10^9 \Omega$ to eliminate the risk of dangerous electrostatic charges.

TERFU Maximum flexibility



Terfu joint. The large frictional diameter together with the single grip adjusting knob provide a rigid, stable joint with a smooth easily adjustable function without requiring the application of excessive force or tools. The joint has reinforced side pieces that prevent distortion which could cause the O-ring to slide out of place or the joint to crack. Ball bearings that isolate the adjusted friction level allow the arm to move up and down without locking the joint or losing stability and function.

Appealing stable brackets



All Terfu extractors have a standard full-swivel that allows 360° of rotation without the need for special sleeves or double wall mountings. Both ceiling and wall brackets consist of a special anodized aluminum profile that provides an appealing, functional installation. The ceiling mount also acts as the extraction channel, thus avoiding the need for expensive external channeling and additional holes in the finished ceiling. Installation is simple and stable, the ceiling mount is available in eight standard lengths, from 10 to 80 inch.

Lengths greater than 80 inch can be supplied to order. The ceiling mount can be provided with internal epoxy coating for use in aggressive environments.

Handle for simple adjustment

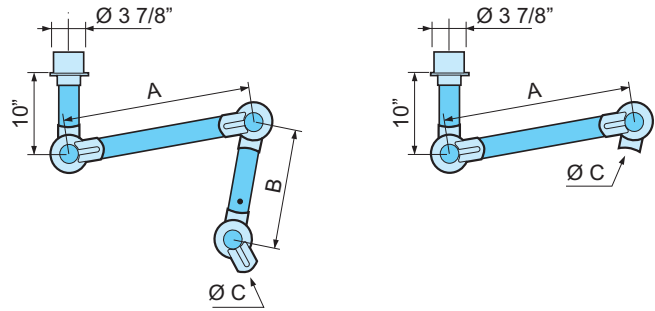


An easily accessible handle provides simple adjustment and fitted as a standard on all models of Terfu size 4 inch.

TERFU models 2 & 3 inch

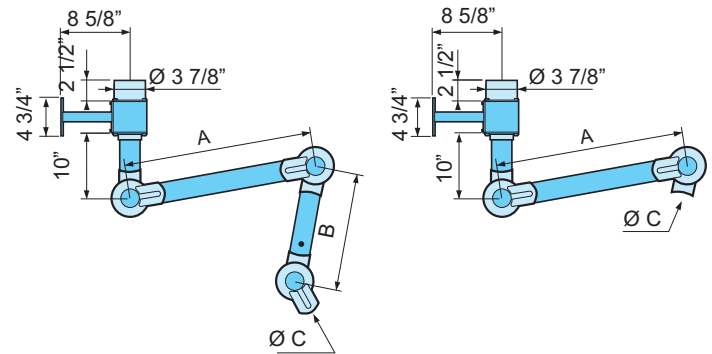
Models with two and three joints Ceiling mount

Designation with three joints				Size (inches)				Weight
Standard	PP	ESD	ATEX	A	B	Total length	Ø C	lb
MT 1000-50	-	ES	-	16"	12"	40"	2"	3.3
MT 1300-50	-	ES	-	22"	18"	51"	2"	3.6
MT 1500-50	-	ES	-	30"	18"	60"	2"	3.7
MT 1000-75	PP	ES	EX	16"	12"	40"	3"	5.0
MT 1300-75	PP	ES	EX	22"	18"	51"	3"	5.7
MT 1500-75	PP	ES	EX	30"	18"	60"	3"	6.0
MT 2000-75	PP	ES	EX	40"	26"	80"	3"	7.1
Designation with two joints								
MT 650-50	-	ES	-	12"	-	28"	2"	2.2
MT 750-50	-	ES	-	18"	-	34"	2"	2.4



Wall mount

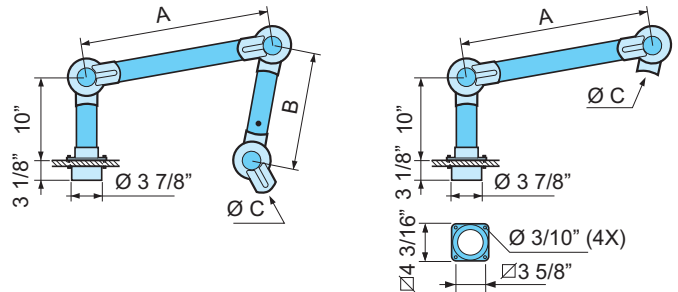
Designation with three joints				Size (inches)				Weight
Standard	PP	ESD	ATEX	A	B	Total length	Ø C	lb
MV 1000-50	-	ES	-	16"	12"	40"	2"	8.0
MV 1300-50	-	ES	-	22"	18"	51"	2"	8.3
MV 1500-50	-	ES	-	30"	18"	60"	2"	8.4
MV 1000-75	PP	ES	EX	16"	12"	40"	3"	9.7
MV 1300-75	PP	ES	EX	22"	18"	51"	3"	10.4
MV 1500-75	PP	ES	EX	30"	18"	60"	3"	10.7
MV 2000-75	PP	ES	EX	40"	26"	80"	3"	11.8
Designation with two joints								
MV 650-50	-	ES	-	12"	-	28"	2"	6.9
MV 750-50	-	ES	-	18"	-	34"	2"	7.1



Extractors with designation MV always include a wall bracket

Table mount

Designation with three joints				Size (inches)				Weight
Standard	PP	ESD	ATEX	A	B	Total length	Ø C	lb
MB 1000-50	-	ES	-	16"	12"	40"	2"	3.3
MB 1300-50	-	ES	-	22"	18"	51"	2"	3.6
MB 1500-50	-	ES	-	30"	18"	60"	2"	3.7
MB 1000-75	PP	ES	EX	16"	12"	40"	3"	5.0
MB 1300-75	PP	ES	EX	22"	18"	51"	3"	5.7
MB 1500-75	PP	ES	EX	30"	18"	60"	3"	6.0
Designation with two joints								
MB 650-50	-	ES	-	12"	-	28"	2"	2.2
MB 750-50	-	ES	-	18"	-	34"	2"	2.4

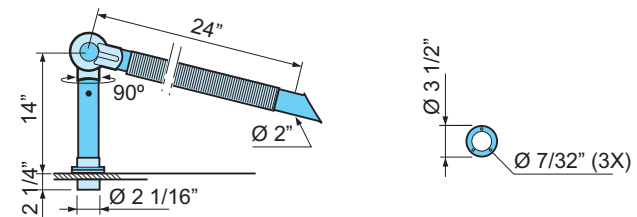


Extractors with designation MB always include a mounting plate

Models with single joint

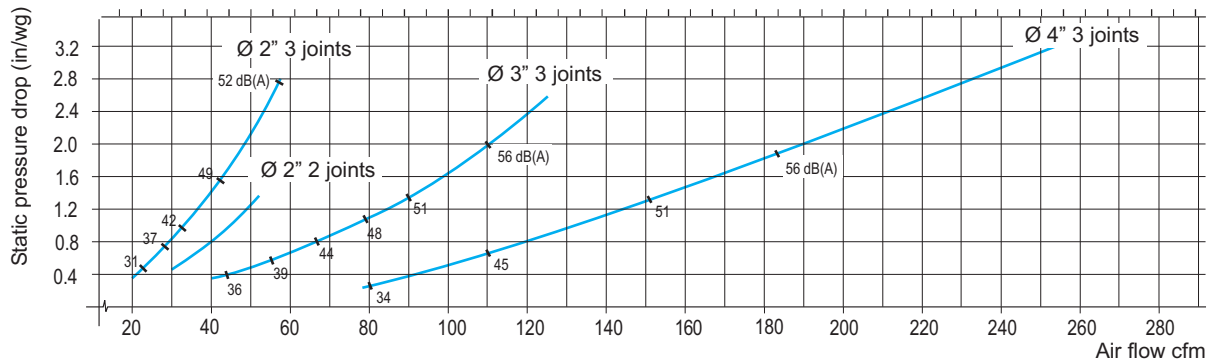
Table mount

Designation	Weight lb
MBC 700-50 ES	1.8



Extractors with designation MB always include a mounting plate

Pressure drop diagram models 2, 3 and 4 inch



The static pressure drop is measured in accordance with ISO-standard 5167-1. The noise level is measured in accordance with ISO-standard 3741.

TERFU models 2 & 3 inch

Mounting

All mountings except MBFC suit sizes Ø2 and Ø3 inch and have a ventilation channel connection for Ø4 inch.

Ceiling bracket MTI

Designation for model 50 and 75			Size (inches)	Weight
Standard	ESD	ATEX	L	lb
MTI 250	ES	EX	10	6.9
MTI 500	ES	EX	20	8.4
MTI 750	ES	EX	30	9.9
MTI 1000	ES	EX	40	11.4
MTI 1250	ES	EX	50	12.9
MTI 1500	ES	EX	60	14.4
MTI 1750	ES	EX	70	15.9
MTI 2000	ES	EX	80	17.4

Ceiling bracket can be fitted with sleeves both below and above a finish ceiling, in the latter case preferably together with MTI CT. MTI can be supplied to order in lengths longer than 80 inches. For aggressive environments, we recommend that ceiling bracket MTI is supplied with internal epoxy coating.

Escutcheon plate MTI CT

Designation for model 2 and 3 inch		Weight oz
MTI CT		1.75

Escutcheon plate, used together with ceiling mount MTI for stabilizing and to cover holes in finished ceilings. Made completely from Polypropylene.

Ceiling bracket MTF

Designation for model 2 and 3 inch		Weight lb
MTF	1000	9.3

Ceiling bracket for fitting through roof beams. Mounting plate is adjustable along the length of aluminum tube, if required, aluminum profile can be cut to fit.

Wall bracket MVK

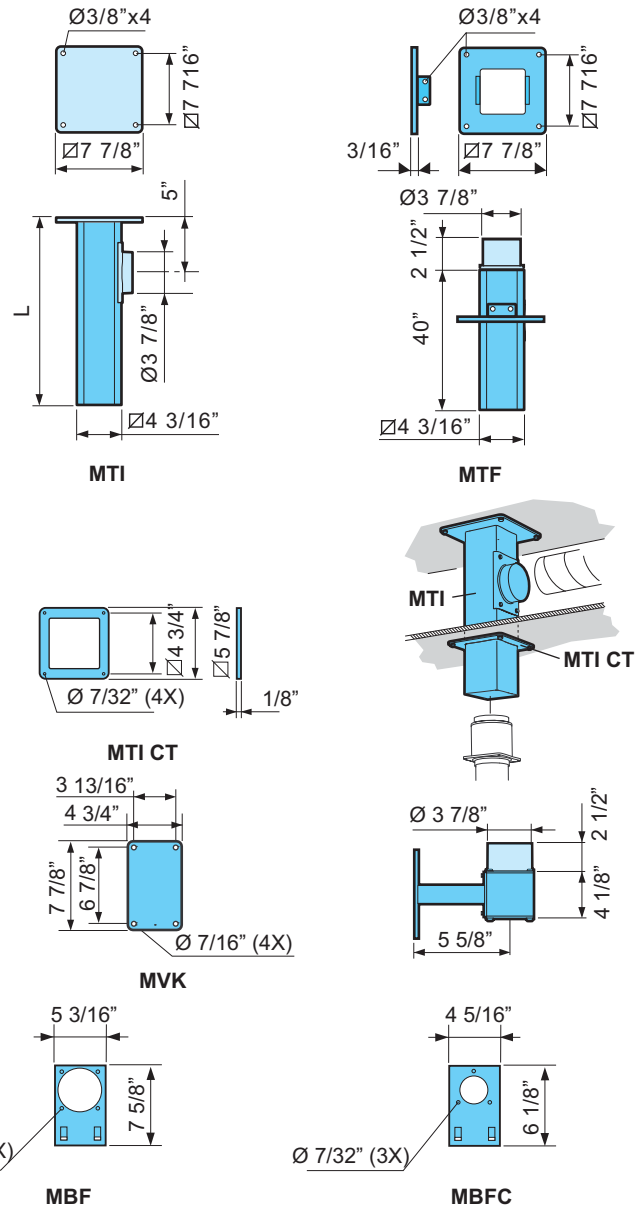
Designation for model 2 and 3 inch			Weight
Standard	ESD	ATEX	lb
MVK	ES	EX	4.7

Wall bracket is always included in models with designation MV.

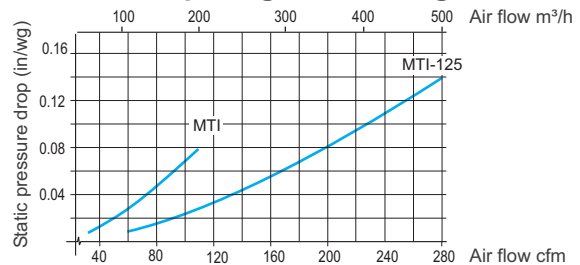
Flexible table bracket MBF/MBFC

Designation for model 50 and 75		Weight
Standard	ESD	lb
MBF	ES	1.6
Designation for model MBC 700-50 ES		Weight
ESD		lb
MBFCES		1.5

For fixed table mounting, mounting flanges are included in models with designation MB.



Pressure drop diagram Ceiling mount MTI



Material description

Friction joint

Ball-bearing supported adjustable friction joints in Polypropylene (PP) with guide ring of low-friction treated rubber. Support springs and other attachment details in zinc plated steel or stainless steel.

Tube

Made from thin-wall anodized aluminum, alternately from polypropylene. Air-tight damper supplied as standard.

Fan and filter

Connects to a separate fan, central extractor system or filter. Recommended operating temperature -5°F to +176°F.

Delivery

Ceiling- supplied assembled excluding hood or nozzle. Ceiling bracket MTI, or MTF, ordered separately.

Wall- assembled, complete with wall bracket MVK, excluding hood or nozzle.

Table- assembled, with mounting plate for table mounting, excluding hood or nozzle. Flexible table bracket MBF ordered separately.

MBC 700-50 ES- supplied assembled, complete with flexible nozzle MFS 600-50 ES and fixing plate for table mounting. Swivel function 90° between aluminum tube and plastic joint. Connection Ø 2 1/16". Flexible table bracket MBFC ordered separately.

TERFU model 4 inch

Model with three joints Ceiling mount

Designation for model 100			Size (inches)			Weight	Gas springs
Standard	PP	ATEX	A	B	Total length	lb	qty
MT 1150-100	PP	EX	18"	14"	46"	9.9	0
MT 1350-100	PP	EX	22"	18"	54"	11.0	0
MT 1650-100	PP	EX	30"	22"	66"	12.1	1
MT 1900-100	PP	EX	40"	22"	76"	13.2	1
MT 2100-100	PP	EX	40"	30"	84"	14.3	2
MT 2650-100	PP	EX	52"	40"	106"	15.4	2

Wall mount

Designation for model 100			Size (inches)			Weight	Gas springs
Standard	PP	ATEX	A	B	Total length	lb	qty
MV 1150-100	PP	EX	18"	14"	46"	15.4	0
MV 1350-100	PP	EX	22"	18"	54"	16.5	0
MV 1650-100	PP	EX	30"	22"	66"	17.6	1
MV 1900-100	PP	EX	40"	22"	76"	18.7	1
MV 2100-100	PP	EX	40"	30"	84"	19.8	2
MV 2650-100	PP	EX	52"	40"	106"	20.9	2

Table mount

Designation for model 100			Size (inches)			Weight	Gas springs
Standard	PP	ATEX	A	B	Total length	lb	qty
MB 1150-100	PP	EX	18"	14"	46"	9.9	0
MB 1350-100	PP	EX	22"	18"	54"	11.0	0
MB 1650-100	PP	EX	30"	22"	66"	12.1	1
MB 1900-100	PP	EX	40"	22"	76"	13.2	1

Ceiling bracket MTI-125

Designation for model 100		Length	Weight
Standard	ATEX	(inches)	lb
MTI 500-125	EX	20	10.8
MTI 750-125	EX	30	12.8
MTI 1000-125	EX	40	14.8
MTI 1250-125	EX	50	16.8
MTI 1500-125	EX	60	18.8
MTI 1750-125	EX	70	20.8
MTI 2000-125	EX	80	22.8

Ceiling mounting can be fitted with sleeves both below and above a finished ceiling, in the latter case preferably together with MTI CT. MTI can be supplied in lengths over 2m to order.

For aggressive environments, we recommend that ceiling mount MTI is supplied with internal epoxy coating.

Escutcheon plate MTI CT-125

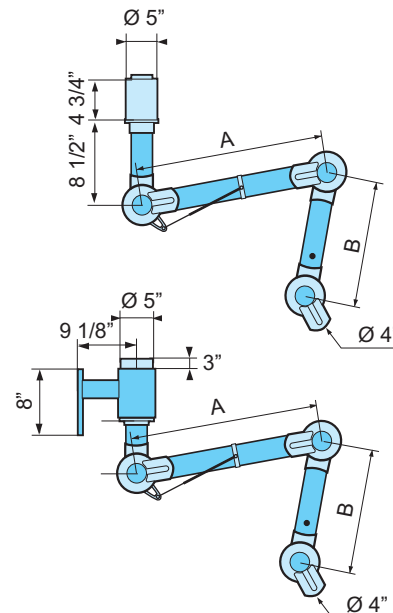
Designation for model 125		Weight oz
MTI CT-125		4.4

Escutcheon plate, used together with ceiling mount MTI for stabilizing and to cover holes in the finished ceiling. Made completely from Polypropylene

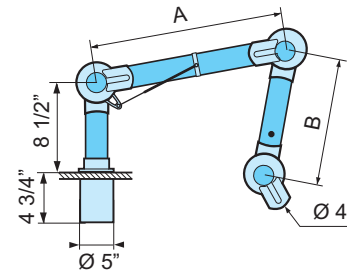
Wall bracket MVK-125

Designation for model 100		Weight
Standard	ATEX	lb
MVK-125	EX	3.4

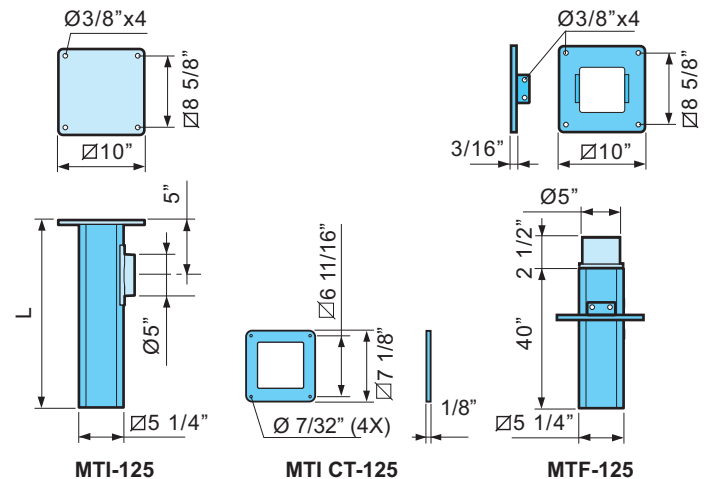
Wall bracket is always included in models with designation MV



Extractors with designation MV always include a wall bracket



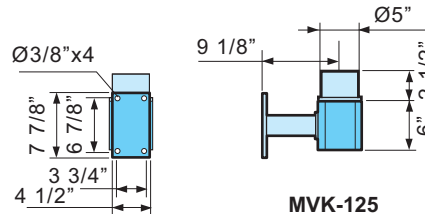
Extractors with designation MB always include a fixing plate



MTI-125

MTI CT-125

MTF-125



MVK-125

Material description

Friction joint

Ball-bearing supported adjustable friction joints in Polypropylene (PP) with guide ring of low-friction treated rubber. Support springs and other attachment details in zinc plated steel or stainless steel.

Tube

Made from thin-wall anodized aluminum, alternatively from polypropylene. Air-tight damper supplied as standard.

Fan and filter

Connects to a separate fan, central extractor system or filter. Recommended operating temperature -5° F to +176° F

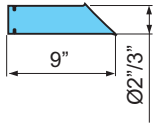
Delivery

Ceiling- supplied assembled excluding hood or nozzle. Ceiling bracket MTI-125 is ordered separately.

Wall- supplied assembled, complete with wall bracket MVK-125, excluding hood.

Table- supplied assembled, with mounting plate for table mounting, excluding hood.

TERFU Hoods to model 50 and 75



SUCTION NOZZLES

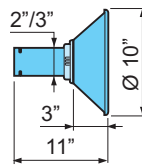
Suction nozzles are used for tough environments and to get close to the source of the contamination without disturbing the work.

Standard	PP	ESD	ATEX	weight oz
MS 300-50		ES		4.0
MS 300-75	PP	ES		5.6

Material

Standard/ES ... Aluminum
PP Polypropylene

Temp. range
-5°F to +176°F



METAL HOODS

Metal hoods are used for work in tough environments. Capture of hot gases, dust spray, etc. Metal hoods can be equipped with work light.

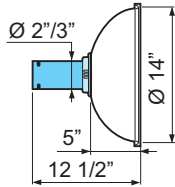
Standard	PP	ESD	ATEX	weight oz
MM 250-50		ES		10.6
MM 250-75		ES	EX	11.8

Material

Standard/PP... Powdercoated aluminum
ES Aluminum
EX Aluminum

Temp. range
-5°F to +176°F

Accessory: Light rated at 50 W 120/12 VAC



DOME HOOD

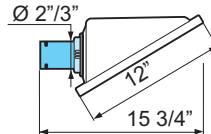
Dome hoods are used to effectively cover the source of contamination without detracting from visibility.

Standard	PP	ESD	ATEX	weight oz
MK 350-50		ES		14.4
MK 350-75	PP	ES	EX	15.9

Material

Standard.. PETG
PP Polypropylene, frosted
ES PEEL black
EX PEEL black

Temp. range
-5°F to +176°F



SQUARE HOOD

Square hoods are used to capture gases from above or from the sides close to the workplace. By using a well dimensioned size, it effectively captures volatile gases without hindering work under the hood.

Standard	PP	ESD	ATEX	weight oz
MSH 350-50				15.9
MSH 350-75	PP			17.1

Material

Standard.. PETG
PP Polypropylene, frosted

Temp. range
-5°F to +176°F

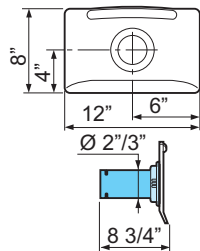
FLEXIBLE NOZZLES

Flexible nozzles are designed to maximize movement and ease of use without detracting from efficiency. Only as ESD version.

Designations	Size Ø D	Weight oz
MFS 600-50 ES	50	11.0
MFS 600-75 ES	75	15.0

Material

ES PEEL black



FLAT SCREEN HOOD

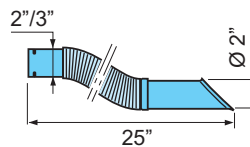
Flat screen hoods are designed to maximize the working area without obstructing the object from the user. Flat screen hoods give the best suction on tables and workbenches.

Standard	PP	ESD	ATEX	weight oz
MPH 300-50		ES		11.6
MPH 300-75	PP	ES	EX	12.9

Material

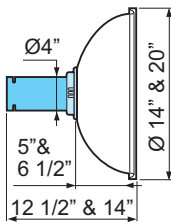
Standard.. PETG
PP Polypropylene, frosted
ES PEEL black
EX PEEL black

Temp. range
-5°F to +176°F



Temp. range
-5°F to +176°F

TERFU Hoods to model 100



DOME HOOD

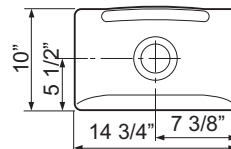
Dome hoods are used to effectively cover the source of contamination without detracting from visibility.

Standard	PP	ESD	ATEX	weight oz
MK 351-100	PP		EX	21.5
MK 500-100	PP		EX	26.0

Material

Standard.. PETG
PP Polypropylene, frosted
ES PEEL black
EX PEEL black

Temp. range
-5°F to +176°F



FLAT SCREEN HOOD

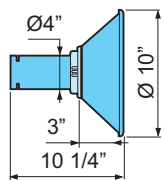
Flat screen hoods are designed to maximize the working area without obstructing the object from the user. Flat screen hoods give the best suction on tables and workbenches.

Standard	PP	ESD	ATEX	weight oz
MPH 375-100	PP	ES	EX	22.0

Material

Standard.. PETG
PP Polypropylene, frosted
ES PEEL black
EX PEEL black

Temp. range
-5°F to +176°F



METAL HOODS

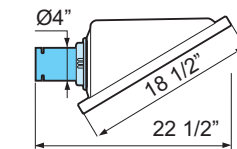
Metal hoods are used for work in tough environments. Capture of hot gases, dust spray, etc. Metal hoods can be equipped with work lighting.

Standard	PP	ESD	ATEX	weight oz
MM 251-100		ES	EX	18.0

Material

Standard ... Powdercoated aluminum
ES Aluminum
EX Aluminum

Temp. range
-5°F to +176°F



SQUARE HOOD

Square hoods are used to capture gases from above or from the sides close to the workplace. By using a well dimensioned size, it effectively captures volatile gases without hindering work under the hood.

Standard	PP	ESD	ATEX	weight oz
MSH 500-100				40.0

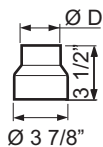
Material

Standard.. PETG

Temp. range
-5°F to +176°F

Accessory: Light rated at 50 W 120/12 VAC

TERFU other accessories



REDUCTION SLEEVE

Reduction, to suit standard mount Ø 4", for reduction to Ø 3" and Ø 2".

Designations	Size Ø D	Weight oz
MRM 100-50	2"	3.0
MRM 100-75	3"	3.0

Material Polypropylene

Temp. range
-5°F to +176°F



PROTECTIVE GRILLE

Protective grille for mounting in joint. To prevent objects being drawn into the system.

Designations	Size Ø D	Weight oz
MSG-75	3"	0.25
MSG-100	4"	0.40

Material Polypropylene

Temp. range
-5°F to +176°F

TERFU Project planning advice

Typical values for Terfu 2 & 3 inch

Size	Function	Air flow	
2 inch	Soldering	20 l/s	42 cfm
	Hair dresser	17 l/s	37 cfm
3 inch	Laboratory	40 l/s	85 cfm
	Schools	40 l/s	85 cfm

Typical values for Terfu 4 inch

Size	Function	Air flow	
4 inch	Laboratory	40-80 l/s	85-170 cfm
	Light industry:		
	-Gluing	80 l/s	170 cfm
	-Solvents	80 l/s	170 cfm
	-Brazing	100-125 l/s	210-265 cfm
-Light welding/TIG	110-125 l/s	235-265 cfm	

Range at recommended mounting height, Terfu 2 - 3 inch

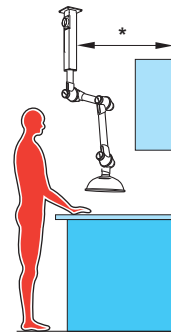
The following mounting heights and side displacements are recommended for optimization of evacuation.

Recommended mounting height

Designation	H inches
MT 1000	64-76
MT 1300	72-84
MT 1500	76-88
MT 2000	84-96

Recommended side displacement in relation to workplace

Designation	S inches
MT 1000	12-24
MT 1300	16-28
MT 1500	20-32
MT 2000	28-40



*For ceiling mounting the extractor is recommended to be positioned over the benchtop, taking other interior furnishing in consideration.

Range at recommended mounting height, Terfu 4 inch

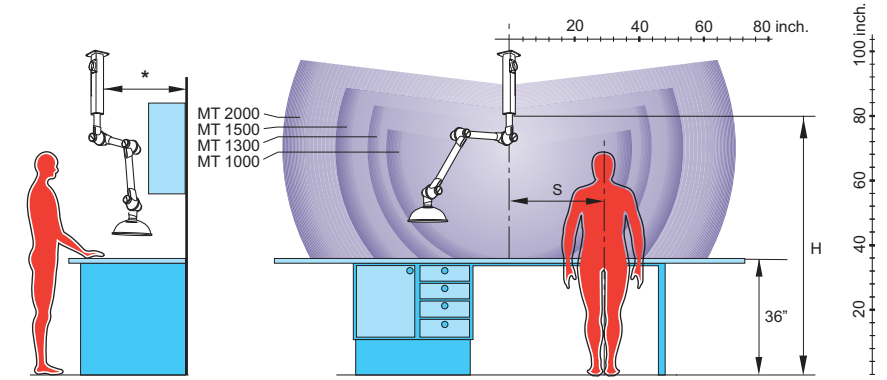
The following mounting heights and side displacements are recommended for optimization of evacuation.

Recommended mounting height

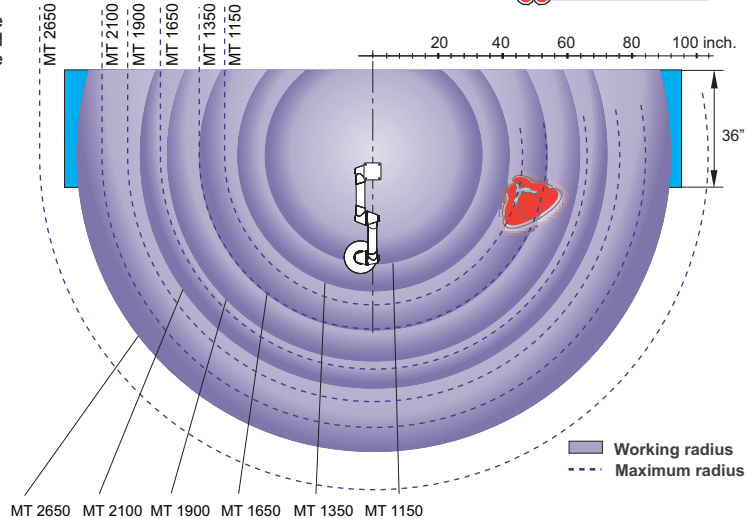
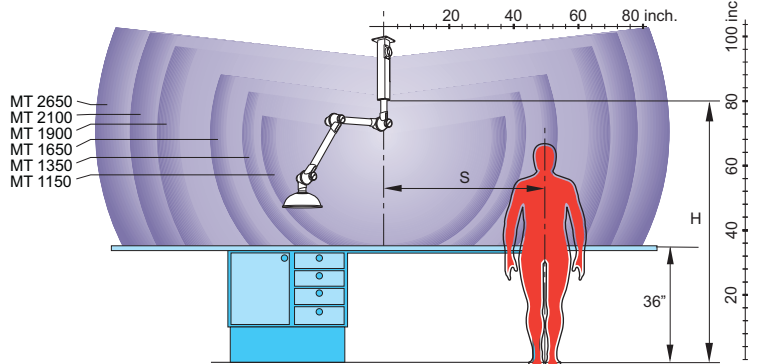
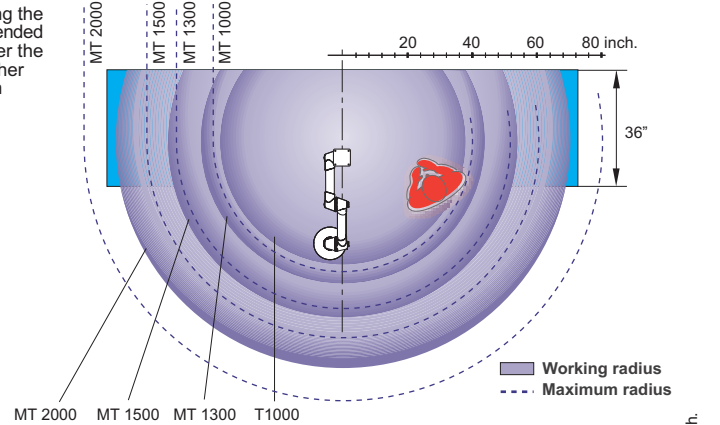
Designation	H inches
MT 1150	68-76
MT 1350	76-84
MT 1650	80-88
MT 1900	88-96
MT 2100	92-100
MT 2650	92-100

Recommended side displacement in relation to workplace

Designation	S inches
MT 1150	12-24
MT 1350	16-28
MT 1650	20-32
MT 1900	28-32
MT 2100	28-36
MT 2650	52-36



*For ceiling mounting the extractor is recommended to be positioned over the benchtop, taking other interior furnishing in consideration.



MOVEX® INC.

104 Commerce Drive, Suit C,
Northampton, PA 18067, USA
Tel: 610-440-0478 Fax: 610-440-0480
www.movexinc.com e-mail: info@movexinc.com

Dealer: